

# Customer Information Sheet

DRAWING No.: M50-492XX05

SHEET 2 OF 2

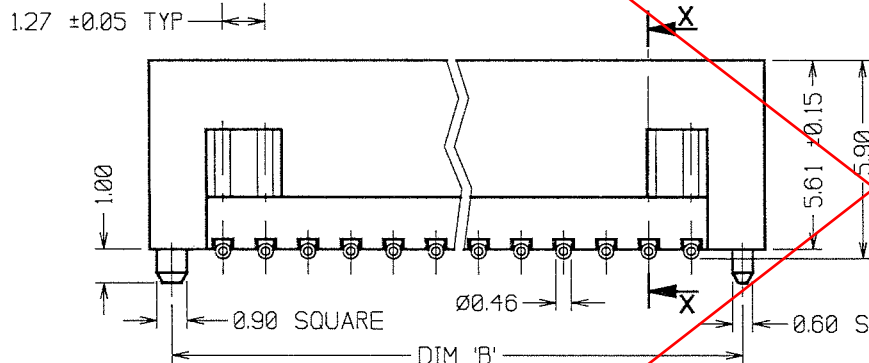
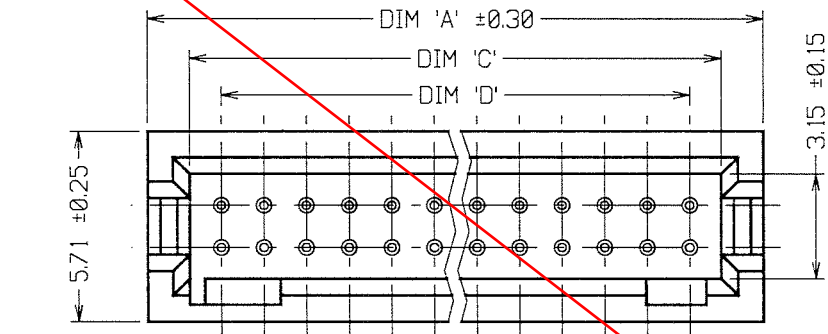
IF IN DOUBT - ASK

©

NOT TO SCALE

THIRD ANGLE PROJECTION

ALL DIMENSIONS IN mm



ORDER CODE:  
**M50-492XX05**

No. OF WAYS PER ROW  
10, 12, 15, 20,  
25, 30, 40, 50

FINISH  
GOLD

SPECIFICATIONS:

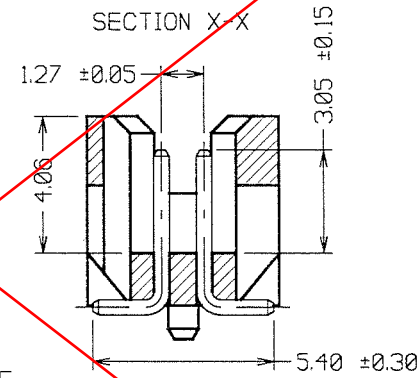
MATERIAL:  
MOULDING - NYLON 6T UL94V-0 BLACK  
CONTACTS - BRASS

FINISH:  
CONTACTS - GOLD FLASH OVER NICKEL

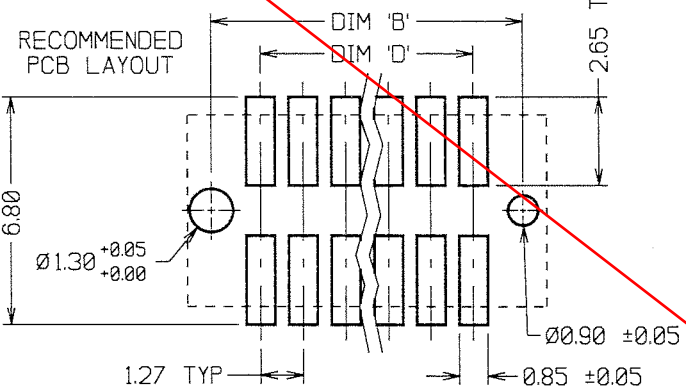
ELECTRICAL:  
CURRENT RATING - 1 AMP  
VOLTAGE RATING - 150V AC  
DIELECTRIC STRENGTH - 500V FOR 1 MINUTE

ENVIRONMENTAL:  
TEMPERATURE RANGE = -40°C TO +105°C

PACKING:  
TUBE



**OBSOLETE**



HARWIN PART No.	No. OF WAYS	DIM 'A'	DIM 'B'	DIM 'C'	DIM 'D'
M50-4921005	10 + 10	15.80	14.48	13.30	11.43
M50-4921205	12 + 12	18.34	17.02	15.84	13.97
M50-4921505	15 + 15	22.15	20.83	19.65	17.78
M50-4922005	20 + 20	28.50	27.18	26.00	24.13
M50-4922505	25 + 25	34.85	33.53	32.35	30.48
M50-4923005	30 + 30	41.20	39.88	38.70	36.83
M50-4924005	40 + 40	53.90	52.58	51.40	49.53
M50-4925005	50 + 50	66.60	65.28	64.10	62.23

RA	7	13.09.07	9854
NAME	ISS.	DATE	C/NOTE
APPROVED: <i>[Signature]</i>			
CHECKED: <i>[Signature]</i>			
DRAWN:		W. J. BOURNE	
CUSTOMER REF.:			
ASSEMBLY DRG:			

**HARWIN**

HARWIN USA  
TEL: 603 893 5376  
FAX: 603 893 5396  
mis@harwin.com

HARWIN Europe (UK)  
TEL: 023 9231 4545  
FAX: 023 9231 4590  
mis@harwin.co.uk

HARWIN Asia  
TEL: +65 6 779 4909  
FAX: +65 6 779 3868  
mis@harwin.com.sg

THIS DRAWING AND ANY INFORMATION OR DESCRIPTIVE MATTER SET OUT HEREON ARE CONFIDENTIAL AND COPYRIGHT PROPERTY OF THE HARWIN GROUP AND MUST NOT BE DISCLOSED, LOANED, COPIED OR USED FOR MANUFACTURING, TENDERING OR FOR ANY OTHER PURPOSE WITHOUT THEIR WRITTEN PERMISSION.

TOLERANCES  
X - ±1mm  
X.X - ±0.25mm  
X.XX - ±0.10mm  
X.XXX - ±0.01mm  
ANGLES = ±5°  
UNLESS STATED

MATERIAL:  
SEE ABOVE

FINISH: SEE ABOVE

S/AREA: mm<sup>2</sup>

TITLE: 1.27mm PITCH SMT  
DIL POLARISED SHROUDED  
PIN HEADER WITH REGS

DRAWING NUMBER:  
**M50-492XX05**

SHT 2 OF 2